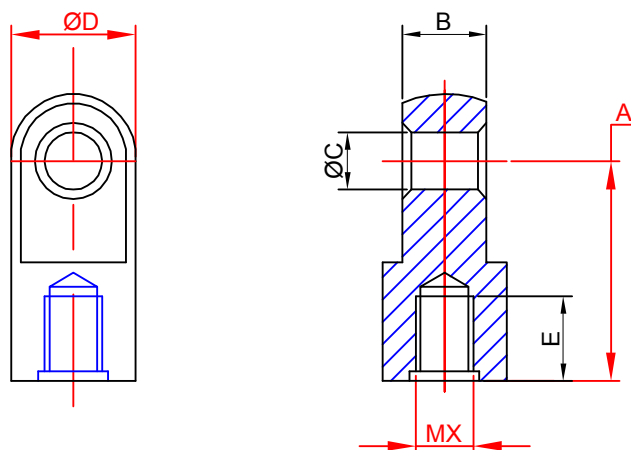


SPRINFORS

Металлическая проушина



Ref. No	Размеры (mm)					
	A	B	$\varnothing C^{+0.1}$	$\varnothing D$	E	MX
1350	16	6	6.1	10	9	M5x0.8
1351	22	10	8.1	14	9	M8x1.25
1352	30	10	8.1	18	9	M10x1.5
1353	27.5	3	6.1	13	9	M6x1
1354	30.5	5	8.1	18	9	M8x1.25
1355	25	5	8.1	13	9	M6x1
1356	22	3	6.1	13	9	M5x0.8
1357	22	10	6.1	14	9	M8x1.25
1359	25	3	6.1	13	9	M5x0.8
1365	16	6	8.1	12	9	M5x0.8
1366	30	8	8.1	18	9	M8x1.25
1369	31	5	6.1	13	9	M6x1

Ref. No	Размеры (mm)					
	A	B	$\varnothing C^{+0.1}$	$\varnothing D$	E	MX
1370	31	5	8.1	13	9	M6x1
1371	32	5	6.1	13	9	M6x1
MU01	30	10	10.1	18	9	M10x1.5
MU02	36	5.5	8.1	16	9	M8x1.25
MU03	31	5.5	8.1	16	9	M8x1.25
MU05	25	8	10.1	16	9	M8x1.25
MU06	25	8	8.1	16	9	M8x1.25
MU07	25	12	10.1	19	9	M10x1.5
MU08	22	10	8.1	14	9	M6x1
MU09	35	10	10.1	20	9	M10x1.5
MU10	35	10	8.1	20	9	M10x1.5
MU11	25	8	6.1	16	9	M8x1.25

(Standard application)